

C.I.P.

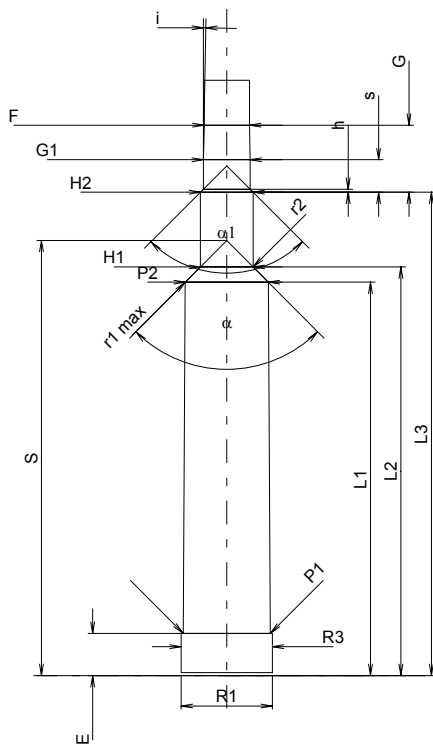
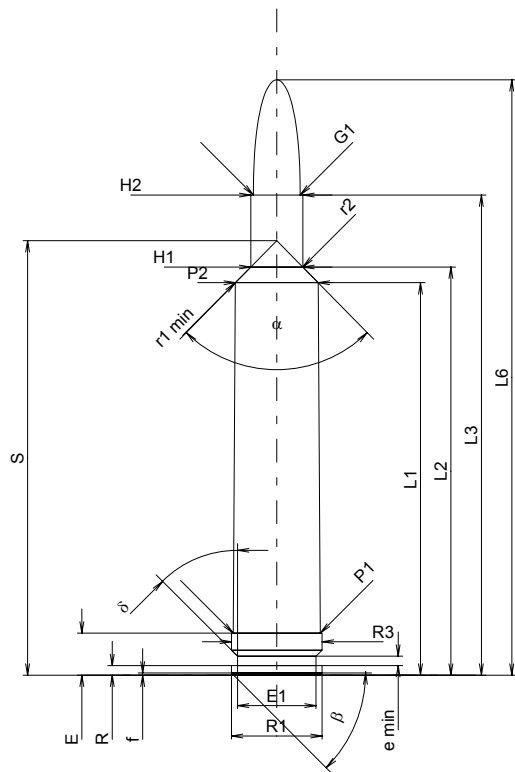
240 Weath. Mag.

Country of Origin: US

TAB. III

Date 84-06-14

Revision 02-05-15



Scale 1:1

Dimensions in << mm >>
Dimensions and Tolerances for Proof Barrels
see Appendix CR 1.

CARTRIDGE MAXI

Lengths

L1	=	51.91
L2	=	53.98
L3 ¹⁾	=	63.50
L4	=	
L5	=	
L6	=	78.74

Case Head

R	=	1.27
R1	=	11.99
R3	=	11.99
E ¹⁾	=	5.56
E1	=	10.39
e min	=	1.24
delta	=	45°
f	=	0.30
beta	=	45°

Powder Chamber

P1	=	11.51
P2*	=	10.96

Junction Cone

alpha*	=	89°01'48"
S*	=	57.48
r1 min	=	3.18
r2	=	3.96

Collar

H1*	=	6.88
H2 ¹⁾	=	6.88

Projectile

G1 ¹⁾	=	6.18
G2	=	
F	=	
L3+G ¹⁾	=	72.37

Pressures (Energies)

Method Transducer

Pmax	=	4400 bar
PK	=	5060 bar
PE	=	5500 bar
M	=	25.00
EE	=	3570 Joule

Miscellaneous Dimensions

Fe ¹⁾	=	0.10
delta L	=	

CHAMBER MINI

Lengths

L1	=	52.03
L2	=	54.04
L3 ¹⁾	=	63.93

Breech

R	=	
R1	=	12.07
R2	=	
R3	=	12.07
r	=	

Powder Chamber

E ¹⁾	=	5.59
P1 ¹⁾	=	11.53
P2*	=	10.98

Junction Cone

alpha*	=	89°37'33"
S*	=	57.56
r1 max	=	3.05
r2	=	3.84

Collar

H1*	=	7.00
H2 ¹⁾	=	6.96

Commencement of Rifling

G1 ¹⁾ *	=	6.18
G ¹⁾	=	8.87
alpha1*	=	90°
h	=	0.39
s	=	4.29
i ¹⁾ *	=	1°
w	=	

Barrel

F ¹⁾ *	=	6.02
Z ¹⁾	=	6.17

Grooves

b	=	3.43
N	=	4
u	=	254.00
Q	=	29.56 mm ²

Notes: 1) Check for safety reasons
* Basic dimensions